

SafetyNet

the monthly Telecommunications newsmagazine
for Warren County Public Agencies

January 2012

NEW Videos!
Minitor V & IIQ

**Training Videos
now on DVD!**

EMS MEMO
Bethesda
North ED

**Meet the new
dispatchers!**

**SafetyNet
WordSearch**

Wayne Twp
Crash Victim
Regains Ability

**Chevy Volt
Potential
Fire Hazard**

LEADS Info Session
late January

**CHECK OUT
LEBANON FIRE'S
NEW UTILITY!**

**Latent Palm
Print Course**

message from the trainer

HAVE YOUR TRAINING DVD?

Allison is meeting with each Chief to introduce another way for you to watch our training videos. 2011 stats averaged only 2-3 videos viewed per person... we have 30+ videos for your benefit.

To ensure you are receiving the necessary training to keep you safe and using your equipment to the fullest, 2 forms and a DVD have been produced.

First, the DVD contains all training videos through November 2011. This can easily be copied to your station's computers. This should remedy the problem of not being able

to access our YouTube or Facebook sites.

Next, a tracking spreadsheet lists all of Telecom's videos with spaces for you to sign your name and check

off videos as you watch them. This will get turned back into Telecom for us to see which individuals have truly watched our training videos.

Finally, to keep your attention through the videos, a 2-4 question per video quiz will be completed. Don't worry, we're not grading them, but do want them back. Our videos only take 2 hours to complete. In return, each person who completes the collection of videos will receive a 2-hour CEU certificate for their training records.

Most agencies have committed to having their people through the videos by April 1, 2012 with some shooting for January 31st!

- Ways to incorporate Telecom videos into your existing training: add it to your monthly training in 30-45 minute sections**
- Cluster similar videos to keep a common theme and your people's attention**
 - Complete the quiz together as a department
 - Add videos to a unit's daily task sheet**
 - Make it a competition**



TELECOM Training Video Quiz
Fire/EMS

[Date] _____

() **Battery Care (4:30)**
What are the 3 battery types found in portable radios? _____
Which is the most cost effective battery type? _____

() **Butler County Talk Groups (2:48)**
What is the BC CALL talkgroup used for? _____
What are the BC PSTAC 9-16 talkgroups used for? _____

() **Emergency Button - Fire (4:40)**
What's the first thing you should do if you accidentally hit your emergency button? _____
What talkgroup will your emergency traffic broadcast on? _____
*Don't write it down but listen for the word that dispatch looks for to know you're truly not in an emergency.

() **Fallsort (4:22)**
What is a fire department's primary talkgroup to use when in fallsort? _____
Secondary talkgroup? _____
Tertiary talkgroup? _____
True/False: Law and Fire can be on the same channel during fallsort.

questions are in the order they appear in the video.

TELECOM Training Video Tracker

Viewing Guide - you only need to watch videos color coded to your discipline.

Department/Station: _____

Print Name _____ Sign Name _____

Instructions: Each person in your agency needs to complete the Telecom Training Video Quiz while watching 120 minutes of training video. Members should sign the roster then enter the date on which they watch each video. We do not expect you to be with these videos, watching them together, absorbing the information and acting it to their benefit. Showing interest in the training means making up - everyone's goal. A DVD of all videos except 02 has been provided to each chief - videos are also on Telecom's YouTube. Please return this completed form to Allison Lyons so that members can receive a 2-hour Continuing Education Unit (CEU) Certificate.

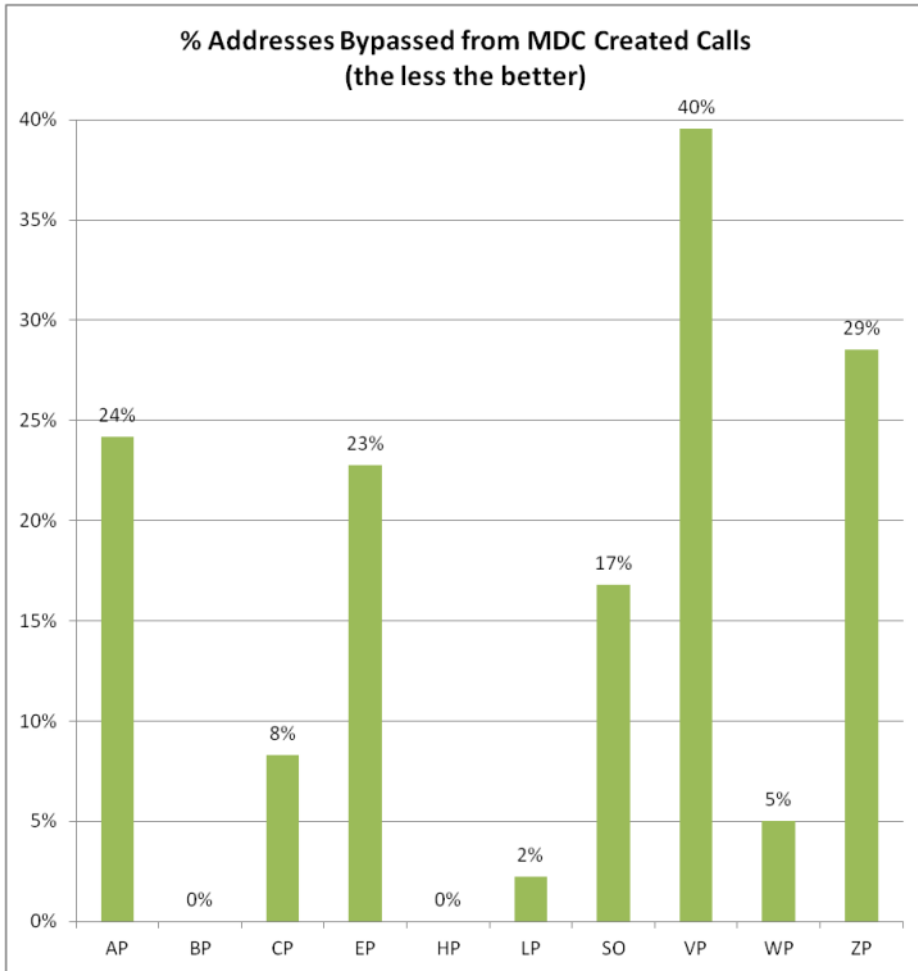
Video Title	Discipline	Discipline	Discipline	Discipline	Discipline	Discipline	Discipline	Discipline	Discipline	Discipline	Discipline	Discipline	Discipline
Battery Care (4:30)	Fire	EMS	Fire	EMS	Fire	EMS	Fire	EMS	Fire	EMS	Fire	EMS	Fire
Butler Co. Talk Groups (2:48)	Fire	EMS	Fire	EMS	Fire	EMS	Fire	EMS	Fire	EMS	Fire	EMS	Fire
Emergency Button (4:40)	Fire	EMS	Fire	EMS	Fire	EMS	Fire	EMS	Fire	EMS	Fire	EMS	Fire
Fallsort (4:22)	Fire	EMS	Fire	EMS	Fire	EMS	Fire	EMS	Fire	EMS	Fire	EMS	Fire
Fire/EMS Only Video	Fire	EMS	Fire	EMS	Fire	EMS	Fire	EMS	Fire	EMS	Fire	EMS	Fire
All Disciplines Video	Fire	EMS	Fire	EMS	Fire	EMS	Fire	EMS	Fire	EMS	Fire	EMS	Fire
Fire/EMS Only Video	Fire	EMS	Fire	EMS	Fire	EMS	Fire	EMS	Fire	EMS	Fire	EMS	Fire
All Disciplines Video	Fire	EMS	Fire	EMS	Fire	EMS	Fire	EMS	Fire	EMS	Fire	EMS	Fire
Fire/EMS Only Video	Fire	EMS	Fire	EMS	Fire	EMS	Fire	EMS	Fire	EMS	Fire	EMS	Fire
All Disciplines Video	Fire	EMS	Fire	EMS	Fire	EMS	Fire	EMS	Fire	EMS	Fire	EMS	Fire

Contact Allison to get your disc & forms!



TELECOM

Warren County · Ohio



TRAINING VIDEO

Fire & EMS Agencies!

Check out the latest training video on the Minitor V Pager! In just 6 minutes you can learn the functions of this useful tool, including playback, reset, monitor/off duty/on duty functions, etc. View it on our [YouTube Channel](#), Facebook page, or [Telecom's FTP site](#) where you can download the video to your computer, no membership or social media access needed!



IIQ is an end user tool that law personnel can access from the LRMS folder on the Gateway. It feeds from LRMS but has an easier layout and navigation than LRMS. Check out this 5 minute video then use it to make your job easier!



IIQ TRAINING VIDEO

THE BEAT

Advanced Latent Palm Print Comparison Course

Hosted by the City of Hamilton Police Department
331 S. Front Street, Hamilton, Ohio, 45011

Prerequisite Prior attendance and completion of a Basic Latent Fingerprint Comparison Course

Class Description (40 hrs)

- Combines lecture and latent palm print comparison exercises.
- The ACE-V methodology of comparing and identifying latent prints is discussed as it relates to the scientific method.
- The latent palm print practical exercises in this course will definitely provide a real-life case work type experience.

Curriculum

- ACE-V methodology of latent print comparison and identification
- Palm print topography and its use in comparisons
- Palm print points of direction, areas, and zones
- Major and Minor Flexion Creases
- Palm print orientation and palm print search clues in latent print comparisons

Instructor

- Johnny Leonard
- Retired Deputy Director of the City-County Bureau of Identification in Raleigh, NC
- I.A.I. Certified Latent Print Examiner
- Worked for the F.B.I. and S.B.I.
- 29 years Latent print examiner
- 40+ years fingerprint experience
- During the past 33 years he has trained hundreds of students

Tuition \$600.00 / student
*check or money order payable to Certified Forensic Training Consultants (CFTC)

Registration / Info

Sgt. Trent Chenoweth
chenowet@ci.hamilton.oh.us
(513) 868-5811 ext. 1361



Springboro PD's Operation Santa



Check out an IIQ video just for law on page 3!

MOVIN' ON UP

WCSCO promotes 2 of its brightest!

Lieutenant Chris Miller

1998 began law enforcement career at the Warren County Sheriff's Office as a Corrections Officer in our jail facility.

July 1999 began Deputy Sheriff duties working Road Patrol.

November 1999 assigned to the Deerfield Township Road Patrol.

April 2002 member of Warren County Tactical Response Unit and is currently Team Commander.

January 2003 returned to County Road Patrol.

May 2009 promoted to Sergeant as Assistant Watch Commander.

June 2009 assigned to Sergeant in the Training Section.

Dec 3, 2011 promoted to the rank of Lieutenant.



Lieutenant Chris Miller's list of awards include 9 years of perfect attendance, and in November 2007 the Lifesaving Team Award. He is a resident of Warren County and currently lives in Franklin with his wife Kristy, daughter Zoe, Lincoln the cat & expected baby.

Sergeant Brian Payne

2000 began his law enforcement career at the Warren County Sheriff's Office as a Deputy Sheriff working in County Road Patrol.

April 2000 was assigned to the South Lebanon Post of the WCSCO.

June 2001 returned to the County Road Patrol.

September 2001 assigned to Court Services.

January 2002 returned to County Road Patrol

July 2002 assigned to the Deerfield Township Post of the WCSCO.

November 2009 assigned the position of Detective in the Criminal Investigations Section.

Dec 10, 2011 promoted to the rank of Sergeant.



Sergeant Brian Payne's list of awards include Perfect Attendance, Safe Driving, Commendations, and Performance Recognitions. He is a resident of Warren County and currently lives in South Lebanon with his wife Charity, daughter Kerigan, and son Rylan.

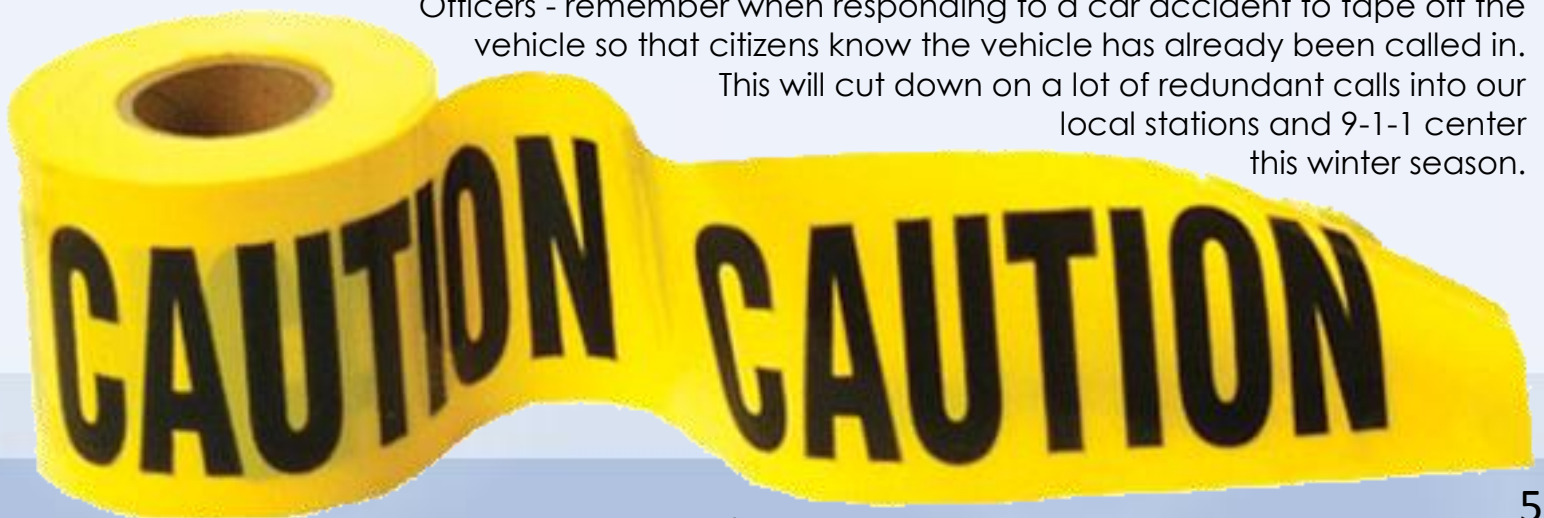
LEADS Training / Info Session - end of January

Have questions about LEADS? A date is being firmed up for you to come to the EOC to meet with Warren County's LEADS Auditor for a Q&A Session. Learn about HOW we do LEADS entries and WHY. Also, the information agencies need to provide, what happens if all information is not included, the new form design. This training is perfect for any agency that Warren County Dispatch enters wanted/missing persons, stolen vehicles/articles, etc.

That's a Wrap

Officers - remember when responding to a car accident to tape off the vehicle so that citizens know the vehicle has already been called in.

This will cut down on a lot of redundant calls into our local stations and 9-1-1 center this winter season.



Pastor Kerry Thrush named Hamilton Township Chaplain

If you've ever driven by Oeder's Lake, you've also seen Pastor Kerry Thrush's church, The Park. Situated on the corner of US 22/3 and Zoar Rd, The Park is in the middle of the action, between both fire stations, and a minute from the high school. But it's not the church's prime location that makes Thrush the ideal candidate for Hamilton Township's Chaplain... it's his desire to serve the local community! Whether throwing a free concert at Landen-Deerfield park, giving away thousands of free socks and underwear at Christmas, or acting as a comfort on the scene of your scariest moment... Pastor Kerry is honored to give back to the people who welcomed him not too long ago.

Chief Greatorex states, "[Kerry] will serve as Chaplain for Hamilton Twp Fire Rescue. His responsibility will entail providing support to the firefighters and families we serve during a critical incident. We as firefighters and command officers get so focused on what we are doing that sometimes the people we are serving get lost in the process and we don't address their immediate needs. Kerry will help us by reminding us that we need to take care of their immediate needs without delay. It is another layer of customer service."

Thrush will be dispatched through the Warren County Communications Center via telephone as he will not carry a Minitor V Pager or radio. His CAD ID will most likely be CH76 with the Call Sign "Chaplain76".

The Back Story of J. Kerry Thrush

1970 - Born March 21 in Louisville, KY, Kerry grew up camping, fishing, and boating.
1992 - University of Kentucky B.A.
1995 - Duke University Masters of Divinity
2001 - Beeson Doctorate Program at Asbury Seminary
2003 - Kerry and wife Betsy moved to Hamilton Township. Their family has grown to include 7-year-old son Zee and 5-year-old daughter Elle.
2004 - Kerry started The Park United Methodist Church at the LMHS.
2006 - The Park United Methodist Church merged with Zoar United Methodist Church to become "The Park at Zoar UMC".

A note from Kerry

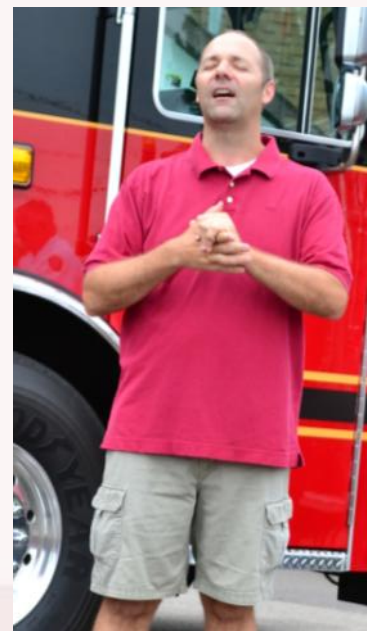
My wife Betsy and I first landed in Cincinnati in 2001. Within the first week, my pastor buddy took me on a tour of the east side of Cincinnati. That tour ended right here in Hamilton Township! I remember sitting in the passenger seat traveling steep roads through forest trees that popped out in front of subdivisions. I went home that night and told Betsy that I found this gorgeous part of Cincinnati...but I was not sure I could ever find my way back there again from our home in Milford! One and a half years later Betsy and I bought a home in one of those subdivisions, just a turn or two away from those forest lined roads. We love it here!

Being the pastor of The Park at Zoar United Methodist Church for the past 8 years has allowed me to meet many folks in the community. My hope is that this next step, becoming the Township Chaplain, will be another opportunity to make connections. I look forward to serving this community along side of you.

So that's the factual scoop about how we landed here in Hamilton Township. Now let's get to the juicy stuff...

My hope is...

- ♦ I will run in to you at Berry Fest, the Salem Elementary School when I'm picking up my son, at the Township office building...or maybe I'll holler from my silver pickup truck when I see you on the road picking up election signs!
- ♦ You will interrupt me at lunch or at Kroger just to say "Hey!"... it's all about making those connections.
- ♦ We can bet a Coke on a Kentucky basketball game (I can't vouch for our football!)
- ♦ You are willing to pass along some fishing tips...maybe you know something about the Little Miami River, or other fishing spots within 60 minutes of Cincinnati?
- ♦ You know something about local BBQ joints...I'm always looking for a new BBQ place to try...fill me in!
- ♦ Over time we can work together in a way that does nothing less than transform our community...I dream big, and I very much look forward to partnering with you, the servants of Hamilton Township.



Above: Pastor Kerry praying over the Engine Retirement Ceremony held at Valley Vineyard on June 18, 2011

Lebanon Fire Department's **NEW** Utility Truck

The utility carries extra rescue equipment not carried on the Engine 41: Oxy – Acetylene torch \ Winless Rope System Rope Rescue Gear (a lot of it) \ Stokes baskets \ Generator 5K Watt \ Confined Space tripod, ventilation system \ Cribbing to support EBS, Trench, Auto Extrication \ Firefighting tools \ Front mounted winch \ Water Rescue gear \ Ladder. Stay tuned for additional equipment. Learn more about its capabilities from Captain Stephen Oughterson at SOughterson@lebanonohio.gov

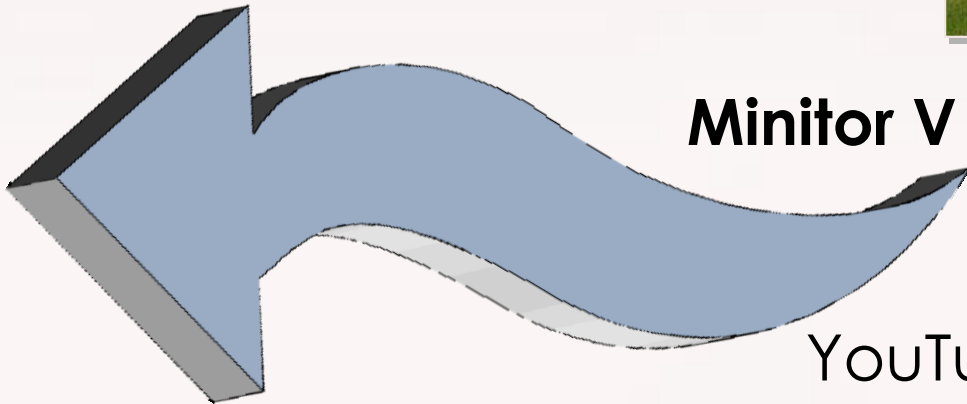


Minitor V Pager Training Video

Learn more on Pg3

& watch it on

YouTube / Facebook / FTP



Wayne Twp bicycle crash victim regains ability and thanks responders who saved him

On November 19, Greg Wheeler did something he hasn't been able to do since his 2009 bicycle accident... carry wood down to his basement by himself. A simple task that many of us take for granted, listen to him recount slowly gaining this simple ability after an ATV struck and almost killed him.

"My first winter home from the hospital [2009], I could barely manage to run the wheelbarrow around the side of our garage, load firewood, then roll it to the backdoor of our house. I would hand two or three pieces to my wife who then carried them down the stairs to stack it in our wood box. I had to watch her do the stairs part, because I simply was not able to do that. Then, during the winter '10, I started hauling a little heavier loads in the wheelbarrow. Later on that winter, I finally was able to carry a *small* armload down the stairs, and my wife would wait by the wood box to help unload me. I couldn't grab with my right hand very well because of the formerly broken right thumb. Even then, I would usually just slightly lean over against the hand rail on the way down to give me a kind of "balance reference".

This year, November 19, was a whole different ball game. We had the wood box emptied to the bottom. I brought a much better size load around with the wheelbarrow, and carried fairly decent size armloads of heavy maple firewood down the stairs, made the turn and used

my right hand to grab chunks and place them in the wood box. I did the whole job by my self, from the bottom to the top. Another bonus: going up stairs now, I no longer have to use a hand on the rail with a little pull to help the left leg a little bit. Now I just walk up stairs normally. I can't run up two steps a time, like I always did until the crash, but I can at least walk right up them again. Ever imagine trying a wheelchair on a stairway? I don't think that would work...

I just want to tell you about how much better I am doing now. I will always have some issues to deal with, but at least one of them isn't using the little joystick of a wheelchair! I like the shifter and brake levers of my bicycle soooooo much better!

I still appreciate so much of what your crew did for me back then, and my plan is to keep reminding you of that once in a while. Wayne Twp Fire Department - I want to always make sure that your crew knows that they are appreciated and respected for the job you do, and did!

-Greg "Bikeman" Wheeler <http://gwbikeman.net>



Emergency Services

Warren County,
Ohio

5581 9-1-1 Calls

18:00 Most frequent hour for 9-1-1 calls

04:00 Least frequent hour of day for 9-1-1 calls

11/3 Highest call volume

11/2 Lowest call volume

84 seconds average time from create to dispatch

Tuesday most frequent day for 9-1-1 calls

Sunday least frequent day for 9-1-1 calls

You Should Know Warren County's new dispatchers, taking their seat in the Communications Center this winter!

Ashlee Gibson will join Melissa Bour's day crew on January 17th. Ashlee is from Wilmington, was an air traffic controller while in the Air Force and has been dispatching for Clinton County SO since 2008, which means that she is already LEADS certified.

Mary Ake already started on Rob Ramby's day crew in December. Mary is from Bellbrook, has a degree in Criminal Justice from Wright State and did an internship with Fairborn PD including time spent in dispatch. It was

while she was doing this internship that she decided she wanted to dispatch. Mary has basic skills in conversational Spanish, which will certainly be helpful with our county's diversified demographic!

They both came in and observed our operation for a couple of hours so some of you have already had the opportunity to meet them. Help us welcome them to the Warren County Public Safety Network and listen for them as they help you serve our *Incredible County!*

-Nancy Machulskiy,
Communications Center
Operations Manager

November 9-1-1 Statistics

(as reported by CAD/RMS Division)

New DEA Regulations & Concerns affect GMVEMSC

If you belong to the drug bag exchange program (GMVEMSC), a completed/signed report must be left with the hospital / pharmacist or you will not be able to exchange your drugs. This will be addressed in the 2012 GMVEMSC standing orders.

FYI Bethesda North ED does not pay for patient transportation home

We have recently had a few patients that have been requesting that our ED pay for them to return home after arriving by ambulance. While we are happy to assist them in making arrangements or calling family, we do not pay for these transportation services and do not have "cab vouchers" that we can supply to them. When transporting patients to BNorth ED please do not inform them that the Emergency Department will be able to pay for them to get transportation home. While we do provide them with a financial counselor if they have concerns for their bills, we do not have the funding to routinely pay for cabs, etc to get patients back home. Please inform patients, if they inquire, that they will be responsible to pay for their own transportation home. We can assist them in calling family or friends and even supply the numbers for cab services, but the patient will be subject to the cost of these transportation options.

Any questions, please feel free to call me or the ED management staff.

Thank You,

Jeffrey M. Heist RN, BSN, CEN, EMT-B, EMSI EMS Coordinator
Bethesda North Hospital and Bethesda Medical Center at Arrow Springs
10500 Montgomery Road Cincinnati, Ohio 45242 Office 513-865-5208



Potential Fire Hazard for new Chevy Volt

This past May, the National Highway Traffic Safety Administration (NHTSA) crashed a Chevy Volt in an NCAP test designed to measure the vehicle's ability to protect occupants from injury in a side collision. During that test, the vehicle's battery was damaged and the coolant line was ruptured. When a fire involving the test vehicle occurred more than three weeks after it was crashed, the agency concluded that the damage to the vehicle's lithium-ion battery during the crash test led to the fire. Since that fire incident, NHTSA has taken a number of steps to gather additional information about the potential for fire in electric vehicles involved in a crash, including working with the Department of Energy and the Department of Defense — in close coordination with experts from General Motors — to complete rigorous tests of the Volt's lithium-ion batteries.

NHTSA is not aware of any roadway crashes that have resulted in battery-related fires in Chevy Volts or other vehicles powered by lithium-ion batteries. However, the agency is concerned that damage to the Volt's batteries as part of three tests that are explicitly designed to replicate real-world crash scenarios have resulted in fire. NHTSA is therefore opening a safety defect investigation of Chevy Volts, which could experience a battery-related fire following a crash. **Chevy Volt owners whose vehicles have not been in a serious crash do not have reason for concern.**

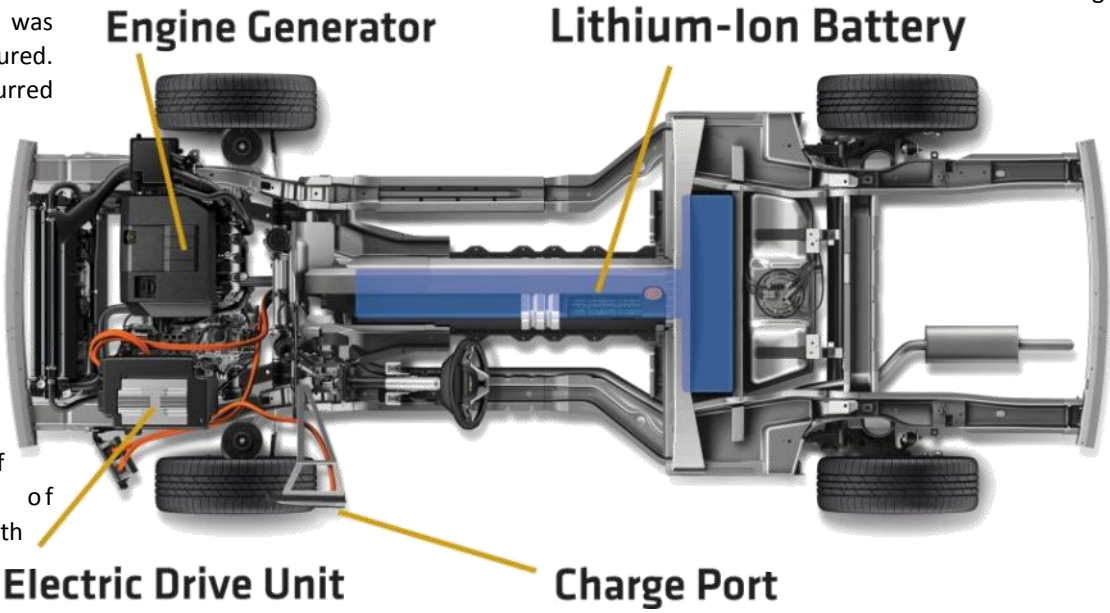
While it is too soon to tell whether the investigation will lead to a recall of any vehicles or parts, if NHTSA identifies an unreasonable risk to safety, the agency will take immediate action to notify consumers and ensure that GM communicates with current vehicle owners.

NHTSA's current guidance for responding to electric vehicles that have been in a crash remains the same. The agency continues to **urge consumers, emergency responders, and the operators of tow trucks and storage facilities to take the following precautions** in the event of a crash involving any electric vehicle:

- **Consumers** are advised to take the same actions they would in a crash involving a gasoline-powered vehicle — exit the



- **Operators of tow trucks and vehicle storage facilities** should ensure the damaged vehicle is kept in an open area instead of inside a garage or other enclosed building.



vehicle safely or await the assistance of an emergency responder if they are unable to get out on their own, move a safe distance away from the vehicle, and notify the authorities of the crash.

- **Emergency responders** should check a vehicle for markings or other indications that it is electric-powered. If it is, they should exercise caution, per published guidelines, to avoid any possible electrical shock and should disconnect the battery from the vehicle circuits if possible.
- **Emergency responders** should also use copious amounts of water if fire is present or suspected and, keeping in mind that fire can occur for a considerable period after a crash, should proceed accordingly.

- Rather than attempt to discharge a propulsion battery, an emergency responder, tow truck operator, or storage facility manager should contact experts at the vehicle's manufacturer on that subject.
- Vehicle owners should not store a severely damaged vehicle in a garage or near other vehicles.
- Consumers with questions about their electric vehicles should contact their local dealers.

It's a light month for commUNITY events - but have no fear! Enjoy a nice word search inspired by this issue of SafetyNet!

4

16

Deerfield Twp Adult & Youth Programs Begins

www.choosedeerfield.com for the fall/winter newsletter and programming.



Mason New Resident Coffee

@ Mason Community Center 10:30am

Refreshments, tour, and a one-day family pass are provided. Children welcome.

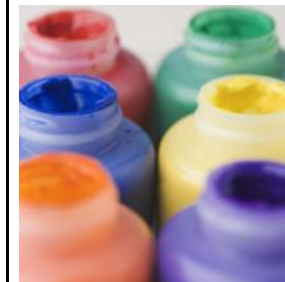


26

28

Massie Township needs 3-4 medic crews & any available certified rescue divers to be on standby for this event from 1200 - 1500 at Caesar Creek.

Contact Chief Hines @ 616-0330 or Capt Campbell @ 708-4743



Deerfield Twp's Paint Your Own Pottery Event

@ Kings Junior High School 6-8pm

www.deerfieldtwp.com

Search

A
F
E
T
Y
N
E
T

- community
- SafetyNet
- training
- minitorV
- IIQ
- dispatchers
- crash
- leads
- palmprint
- bethesda
- EMS Reports
- Volt
- UtilityTruck
- DVD
- Santa
- Promotion
- Caution
- Chaplain
- Statistics
- GMVEMSC
- Telecom

E	T	T	P	A	G	M	V	E	M	S	C	I	G
T	C	A	N	I	A	L	P	A	H	C	Q	H	I
P	O	P	S	P	A	L	M	P	R	I	N	T	C
K	C	U	R	T	Y	T	I	L	I	T	U	R	C
M	O	S	E	O	R	L	E	A	D	S	G	A	A
O	M	N	H	S	M	O	E	I	A	I	E	I	U
C	M	E	C	I	I	O	P	N	U	T	S	N	T
E	U	L	T	E	N	Y	T	E	F	A	S	I	I
L	N	I	A	V	I	A	E	I	R	T	S	N	O
E	I	S	P	H	T	S	T	T	O	S	Y	G	N
T	T	E	S	O	O	N	S	D	T	N	M	I	E
N	Y	A	I	D	R	A	D	S	E	H	T	E	B
U	R	F	D	T	V	O	L	T	S	A	T	N	I
C	E	T	K	A	L	D	P	I	I	O	S	Y	A



WCCC Public Safety Services Program is "Chartered to Conduct Firefighter and EMS training in Ohio: Accreditation No. 219" by the Ohio Department of Public Safety.

For more information contact the Public Safety Services program coordinator: 513.932.8145, x5225. College Credit may be available for selected courses.

All courses are conducted on the WCCC main campus unless otherwise noted.

For individual course details, including prerequisites, go to www.mywccc.org, select Adult Education

Fire Service Courses	Hours	Start/End Dates	Day/Time	Cost
Volunteer Firefighter	36	01.11.2012 – 01.31.2012	6:00-10:00pm Mon & Wed, & 8:00am-5:00pm Sat	\$250 (Plus \$125 for books)
Firefighter I Transition with Ohio required EVO class	100	02.13.2012 – 04.19.2012	6:00-10:00pm Mon & Wed, & 8:00am-5:00pm on alt. Sats	\$675 (Plus \$125 for books if needed)
Firefighter II Transition	120	05.07.2012-07.28.2012	6:00-10:00pm Mon & Wed & 8:00am-5:00pm on alt. Sats	\$725 (Plus \$125 for books & \$100 for EVO class if needed)
Emergency Vehicle Operation	16	04.14.2012 & 04.21.2012	8:00am-5:00pm, Saturdays	\$100
Fire Safety Inspector	80	04.05.2012 – 05.24.2012	6:00-10:00pm Tu & Th, & 8:00am-5:00pm on alt. Sats	\$450 (Plus \$100 for books)
Fire Inspector Refresher	10	03.06.2012 – 03.08.2012	6:00-9:30pm, Tu, Wed, Th	\$75
Fire/EMS Instructor	70	Contact the PS Coordinator for dates/times		\$575
Rope Rescue-Operations Level Course	24	Contact the PS Coordinator for dates/times		\$200
Fire Refresher/CEUs	18	04.09.2012 – 04.18.2012	5:30-10:00pm, Mon & Wed	\$150
EMT Training Courses	Hours	Start/End Dates	Day/Times	Cost
EMT First Responder	48	Contact the PS Coordinator for dates/times		\$250 (Plus \$75 for books)
EMT – Basic	160	01.24.2012 – 05.17.2012	6:00-10:00pm Tu & Th, & 8:00-5:00pm on alt. Sats	\$800 (Plus \$125 for books)
EMT Basic Refresher	32	03.05.2012 – 04.04.2012	6:00-10:00pm Mon & Wed	\$200
EMT Intermediate* (Clinical hours not included)	130	01.10.2012 – 03.27.2012	6:00-10:00pm Tu & Th, & 8:00-5:00pm on alt. Sats	\$725 (Plus \$125 for books)
EMT Intermediate-Refresher	40	Contact the PS Coordinator for dates/times		\$250
CPR Training	Hours	Dates	Day/Times	Cost
Healthcare Provider CPR	5	01.21.2012 02.18.2012 03.17.2012 04.21.2012 05.19.2012 06.16.2012	8:30am-1:30pm, Saturdays	\$65

*Held at Turtlecreek Township Fire Department

Public Safety Meetings in January

